

# ARVEN L COUNTER STOOL

parla\*

Item Number U0600068 (Powder Coated)  
Designed by Burcu Özdamar



## PRODUCT SPECIFICATION

Frame  
Plywood back and solid beech legs, powder coated footrest

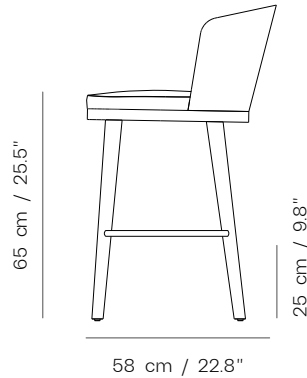
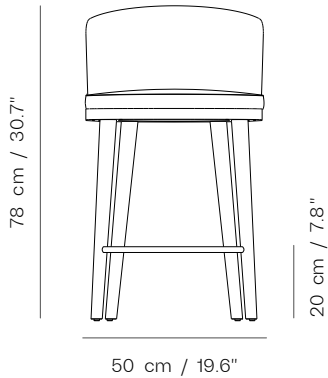
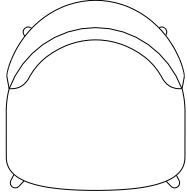
Seat & Back  
Upholstered seat and back

Finish  
Available in multiple stain colours, footrest is available in RAL colours

## PRODUCT DIMENSIONS

W:50 D:58 H:78 SH:65

## TECHNICAL DRAWING



## PACKAGING

Packaging Type  
Wooden case box

Packaging Measurement  
L:52 X W:52 X H:110 CM

Weight Packaging  
Gross/Net  
12 kg/10 kg

Number of Parcels  
1 pcs

## COMPANY CERTIFICATIONS

ISO 14001  
Environmental management system

ISO 45001  
Occupational health and safety

ISO 9001  
International organization for standardization assessment

FSC  
Forest stewardship council

parla\*

İstanbul Showroom - Bareli İş Merkezi, Ayazmadere Cad. Pazar Sok. No:2-4 Beşiktaş 34349 İstanbul/Turkey  
istanbul@parladesign.com - Tel: +90 212 216 61 63 - 64