

HUG STOOL

parla*

Item Number U070000026
Designed by Betül İnci



PRODUCT SPECIFICATION

Frame
Plywood and solid beech structure, oak veneered base with solid oak edge

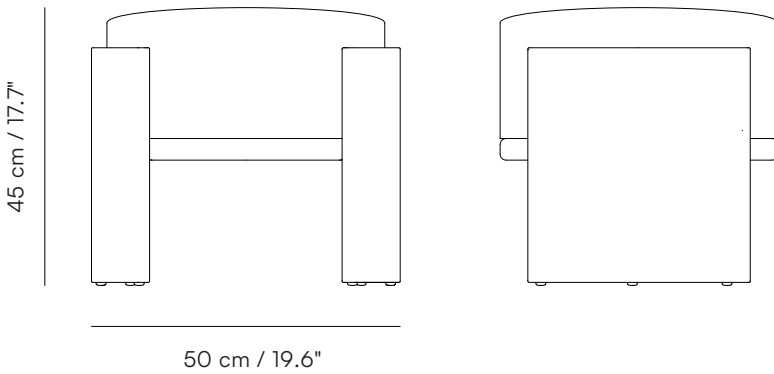
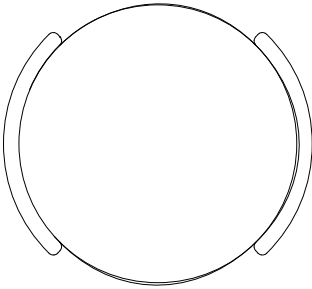
Seat
Upholstered seat

Finish
Available in multiple stain colours

PRODUCT DIMENSIONS

Dia:50 H:45

TECHNICAL DRAWING



PACKAGING

Packaging Type
Wooden case box

Packaging Measurement
L:52 X W:52 X H:40 CM

Weight Packaging
Gross/Net
10 kg/8 kg

Number of Parcels
1 pcs

COMPANY CERTIFICATIONS

Tests of Domestic Furniture

EN 1022 Determination of Stability
EN 16139 Strength, Durability and Safety
EN 1728 Determination of Strength

Certificates of Manufacture

I-REC Renewable Energy
FSC Wood Certificate
ISO 9001 Quality Management Systems
ISO 14001 Environmental Management Systems
ISO 45001 Health and Safety at Work
ISO 50001 Efficient Use of Energy
ISO 26000 Social Responsibility
ISO 37001 Anti-Bribery Management Systems
Carbon Offset certified land freight shipping for EU & UK regions

parla*

İstanbul Showroom - Bareli İş Merkezi, Ayazmadere Cad. Pazar Sok. No:2-4 Beşiktaş 34349 İstanbul/Turkey
istanbul@parladesign.com - Tel: +90 212 216 61 63 - 64